



A c c e s s o r i e s f o r P u m p s

FLOW SENSOR

SEFL1

The flow sensor SEFL1 is designed to control the solenoid driven pumps by detecting the liquid discharged from the pump head.



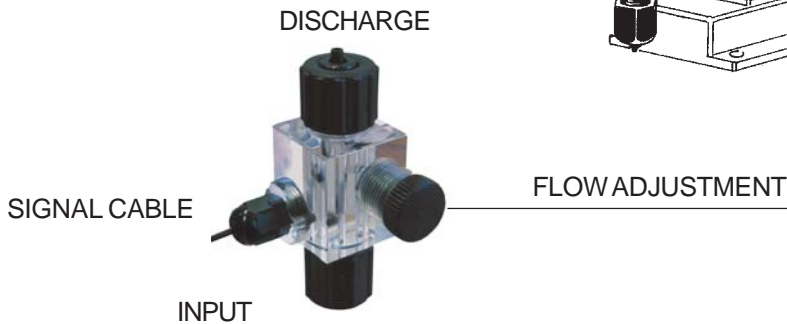
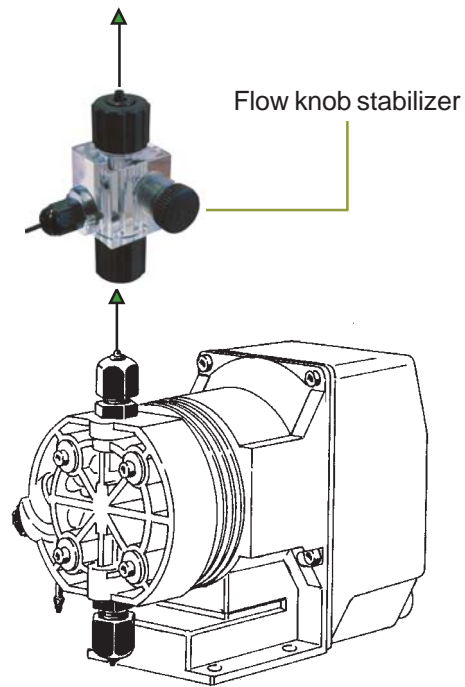
A flow knob adjustment provides the regulation of the stroke capacity.

INSTALLATION:

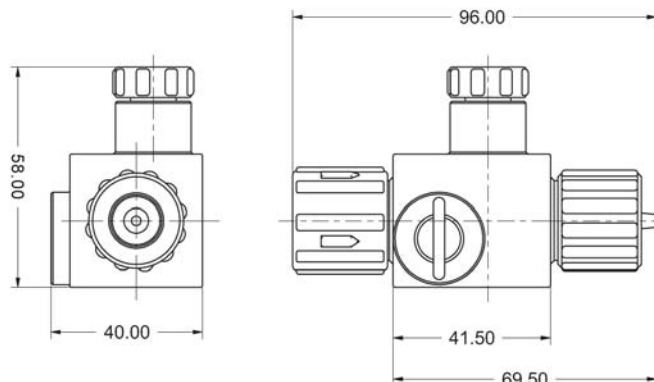
1. Install SEFL connecting it to the pump head discharge connection. Take out the discharge connection tube nut and screw the SEFL connection onto the discharge.

2. Install the discharge hose on the discharge point of SEFL (top) locking it tight.

3. Carry out the electrical wiring connecting the SEFL two wires to an external control type PLC that allows an alarm signal or shutting off of the system or the dosing pump. The SEFL signal is a NO/NC voltage free contact.



	BODY	FITTINGS	VALVES	FLOATER	FLOW KNOB	CABLE
SEFL1	PVDF or PVC or PMMA	3/8"; 1/2"	PP PVDF	PTFE	PVC	Polyethylene



All dimensions are in *mm* unless specified

ATA S.r.l.
 Via Molinello 38 16035 Rapallo (GE)
 Tel. +39 0185263015 Fax +39 0185260114
 Http://www.atasrl.it e-mail:atasrl@atasrl.it
 P.iva 03588120109

**sistemi di dosaggio
 trattamento acque
 fertirrigazione
 automazione**