

A c c e s s o r i e s f o r P u m p s



MIX

MIX6 * MIX8 * MIX9 * MIX-S8 * MIX-V6 * MIX-V8 * MIX-V9 * MIX-V10



A.T.A. supplies MIX with three different speeds: 65 RPM, 400 RPM and 1400 RPM.

The MIX shaft length can be customized to fit different size tanks.

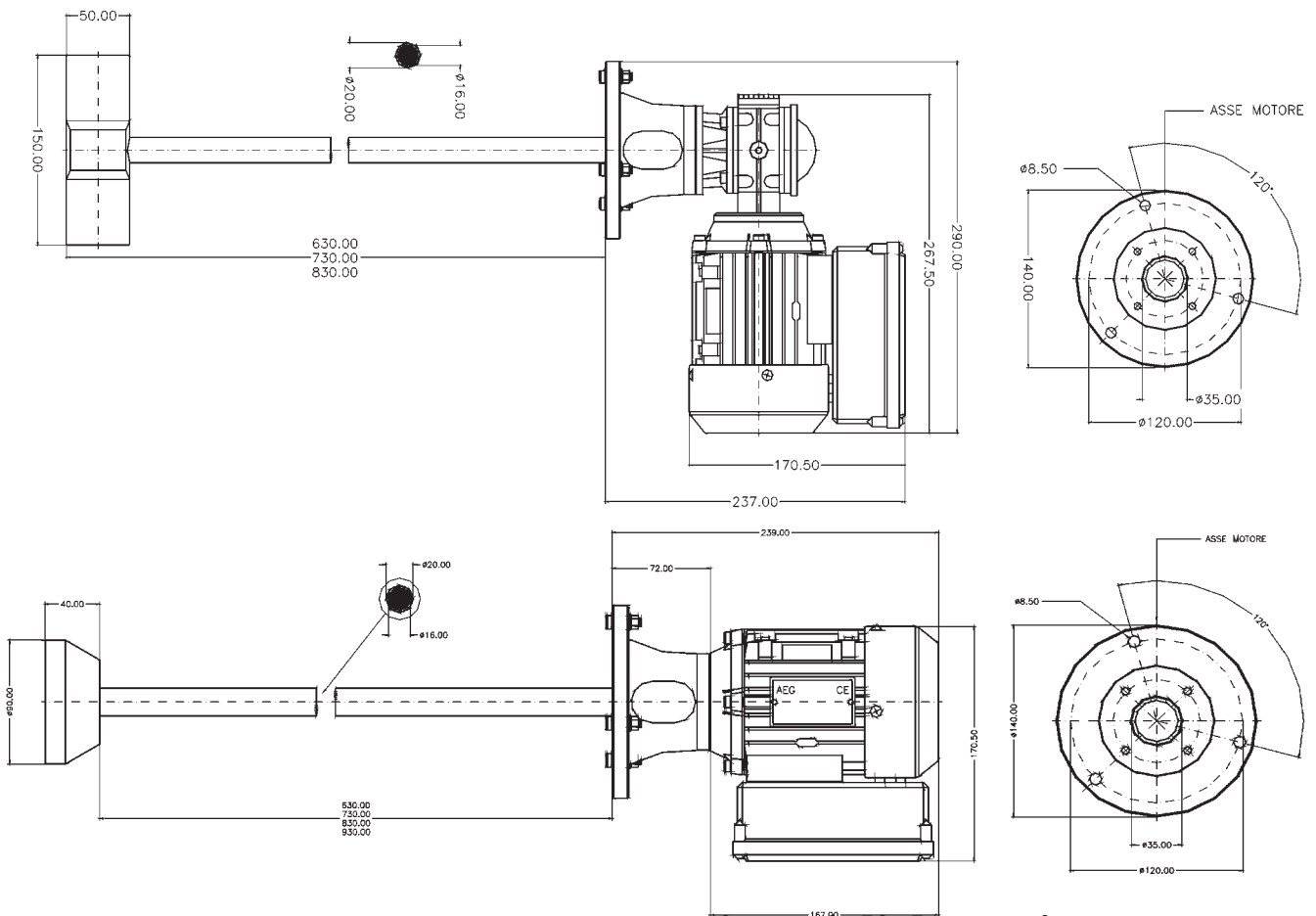
The mixer is used with small size tank (100÷500 Lt). The shaft of the stirrer is directly coupled with the gear box. The gear box (lubrification free) is coupled to the tank fixing flange.

The main axis is made in stainless steel and covered in PVC. The seal against chemical vapour is a Fluorocarbon rotary seal inserted between the flange and the PVC cover of the shaft. This protects the gear box and the motor from chemical vapour.



A c c e s s o r i e s f o r P u m p s

	Power Engine KW	Power Supply	RPM	Shaft Length mm
MIX6/2	0,11	Single Phase	65	630
MIX6/3	0,09	Triphase	65	630
MIX8/2	0,11	Single Phase	65	730
MIX8/3	0,09	Triphase	65	730
MIX9/2	0,11	Single Phase	65	830
MIX9/3	0,09	Triphase	65	830
MIX-S8/2	0,11	Single Phase	400	730
MIX-S8/3	0,09	Triphase	400	730
MIX-V6/2	0,11	Single Phase	1400	630
MIX-V6/3	0,09	Triphase	1400	630
MIX-V8/2	0,11	Single Phase	1400	730
MIX-V8/3	0,09	Triphase	1400	730
MIX-V9/2	0,11	Single Phase	1400	830
MIX-V9/3	0,09	Triphase	1400	830
MIX-V10/2	0,11	Single Phase	1400	930
MIX-V10/3	0,09	Triphase	1400	930



JATA S.r.l.

Via Molinello 38 16035 Rapallo (GE)
 Tel. +39 0185263015 Fax +39 0185260114
 Http://www.atasrl.it e-mal:atasrl@atasrl.it
 P.iva 03588120109

**sistemi di dosaggio
 trattamento acque
 fertirrigazione
 automazione**