



M e t e r i n g P u m p s

EPHRHD SERIES

EPHRHD & EPHRHS

Proportional metering pumps driven by internal control instruments for pH and Redox. This compact, easy to install system is ideal for measuring, regulating and dosing acids, alkalis or disinfectant (chlorine) into small to medium sized swimming pools.

EPHRHD MODEL



Swimming pool digital proportional regulator with metering pumps for acid (pH) and disinfectant (ORP). Stand-by input, level control for each pump.

Two operating modes: mode 1, simultaneous feeding; mode 2, acid pump On and chlorine pump Off till pH stabilization and then chlorine feeding.

Metering pumps flow rate: 5 l/h with 5 bar of back pressure.

EPHRHS MODEL



Swimming pool digital proportional regulator with metering pump for acid (pH) and proportional/On-Off (disinfectant) electrovalve for feeder application. Stand-by input, level alarm control only for acid. Metering pump flow rate: 5 l/h with 5 bar of back pressure.



M E T E R I N G P U M P S

EPHRHD * EPHRHS

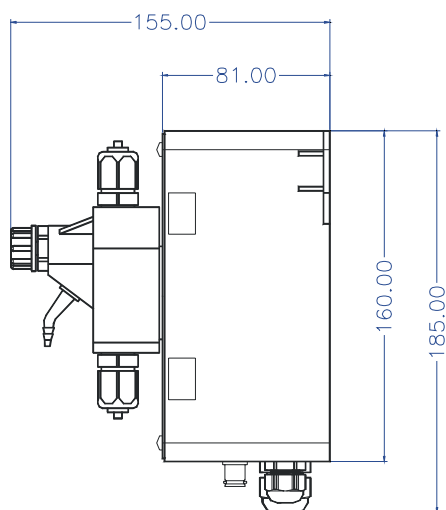
| | EPHRHD | EPHRHS |
|---------------------|------------------------------------------------------|------------------------------------------------------|
| Input Signals | 2 level probe pH probe Redox probe Stand-by | 1 level probe pH probe Redox probe Stand-by |
| Internal Controller | pH meter Redox meter | pH meter Redox meter |
| Output Signals | Feeder. Level on demand | |

| | Pump Head | Diaphragm | Ball Checks | Valve Cartridge | Hose Connection kit | Foot Filter | Hoses | O-rings |
|-----------|-----------|-----------|---------------------|-----------------|---------------------|-------------|-------------|-------------|
| STANDARD | PP | PTFE | Ceramic | PP | PP | PP | PE | Viton® |
| ON DEMAND | PVDF | -- | PTFE Glass SS | PVDF | PVDF | PVDF | PVDF PVC | EPDM NBR |

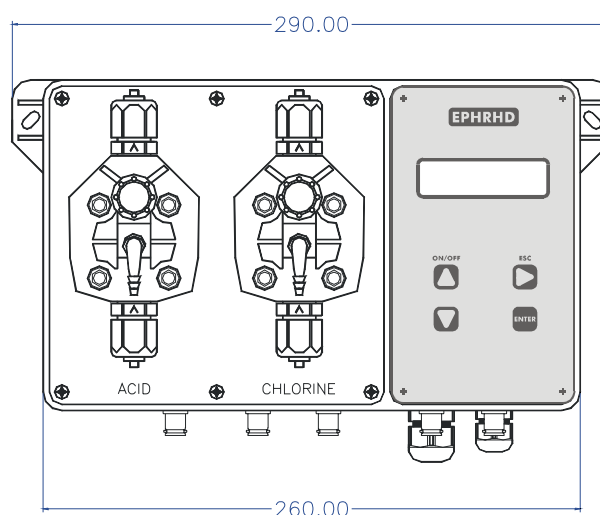
Viton® is a registered trademark of DuPont Dow Elastomers.

Power Supply: 115 - 230 - 24 VDC.

On demand are available other power supply.



All dimensions are in *mm* unless specified.



ATA S.r.l.

Via Molinello 38 16035 Rapallo (GE)

Tel. +39 0185263015 Fax +39 0185260114

Http://www.atasrl.it e-mail:atasrl@atasrl.it

P.iva 03588120109

**sistemi di dosaggio
trattamento acque
fertirrigazione
automazione**